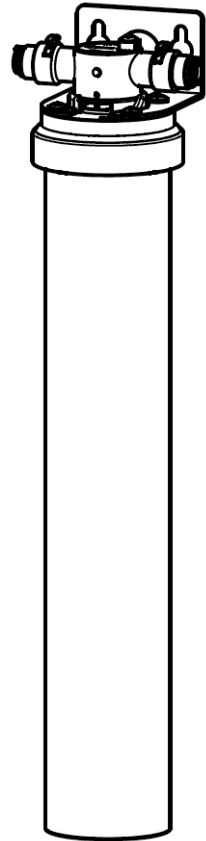


# Commercial Water Filtration System

---

**C100 Clean**



# Table of Contents

▪ <b>Introduction</b> .....	3
<b>Product Specifications</b> .....	3
<b>Product Components</b> .....	4
▪ <b>Installation</b> .....	5
<b>Precautions Before Installation</b> .....	5
<b>Pre-Installation Checklist</b> .....	6
<b>Installation Overview</b> .....	6
<b>Installation Guide</b> .....	7
▪ <b>Filter Cartridge Replacement</b> .....	13
▪ <b>Troubleshooting</b> .....	16
▪ <b>FAQ</b> .....	17
▪ <b>Product Warranty</b> .....	18
▪ <b>Warranty Registration Card</b> .....	20

## Introduction

### A commercial filtration solution designed for equipment protection, consistent water taste, and reduced maintenance costs

The C100 Clean commercial water filtration system is designed for cafés, restaurants, commercial kitchens, and beverage equipment environments. It effectively suppresses scale formation and improves water taste, ensuring consistent flavor quality in coffee and beverages while protecting equipment performance.

It also helps prevent failures in various beverage-related equipment such as coffee machines, ice makers, boilers, and water heaters. By maintaining stable flow rates and consistent water quality, it enhances operational efficiency in commercial settings.

The system features a washable stainless steel housing and a detachable filter structure, allowing for long-term reuse. This reduces plastic waste and maintenance costs. With a high-capacity design of up to 100,000 liters, it extends replacement intervals, supporting economical and stable operation.

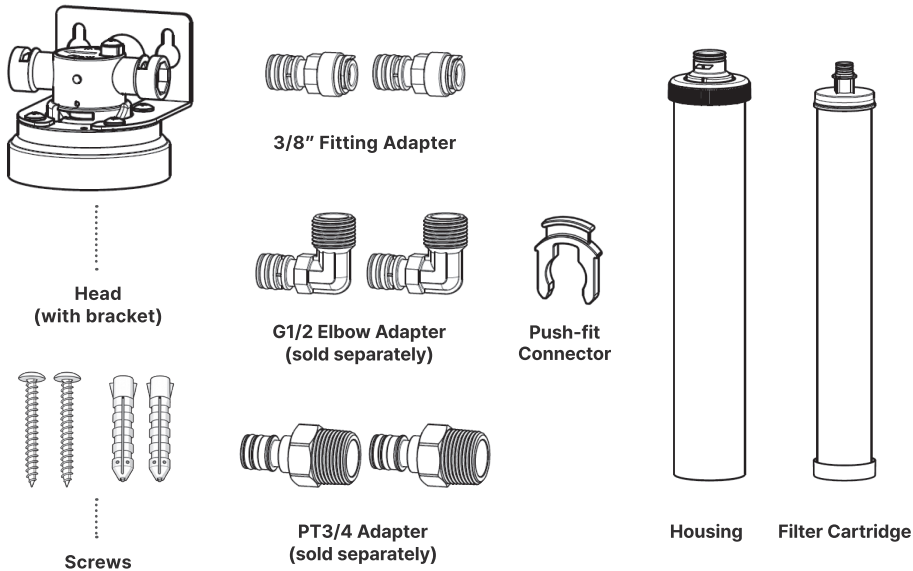
### ▪ Product Specifications

<b>Flow Rate</b>	10 – 18 L/mim (2.6 – 4.7 GPM)
<b>Maximum Flow Rate</b>	18 L/mim (4.7 GPM)
<b>Total Filtration Capacity</b>	100,000 L (26,417 gal) * May vary depending on water quality * Filter cartridge replacement is recommended every 6–12 months
<b>Operating Pressure</b>	0.2 – 0.55 MPa (29 – 80 psi)
<b>Operating Temperature</b>	4 – 38 °C (40 – 100 °F)
<b>Acceptable pH Range</b>	6.0 – 9.0

- Replacement Filter Cartridge Model: C100-SCS

## Product Components

Name	Description	Quantity
Head (with bracket)	Mounting metal bracket with pre-assembled head	1
3/8" Fitting Adapter	3/8" fitting adapter for inlet/outlet tube connection	2
Push-fit Connector	Connector for securing inlet/outlet adapters	2
Housing	Stainless steel filter housing and cover	1
Filter Cartridge (C100-SCS)	PP sediment + carbon block + scale inhibitor * The filter cartridge is included inside the housing.	1
Screws	Installation screws and plastic anchors	2
G1/2 Elbow Adapter (sold separately)	G1/2 elbow adapter for inlet/outlet connection	(2)
PT3/4 Adapter (sold separately)	PT3/4 elbow adapter for inlet/outlet connection	(2)



## Installation

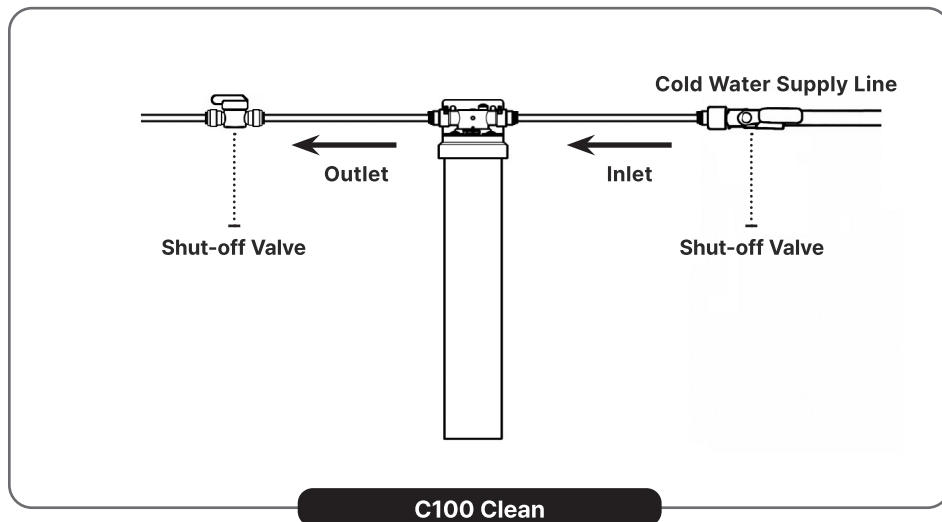
### Precautions Before Installation

- This installation guide provides step-by-step procedures for correctly installing the C100 Clean commercial water filtration system from start to finish. All steps described are based on a standard installation environment. Actual installation methods may vary depending on the user's environment and conditions.
- Do not use this system with water that is microbiologically unsafe or of unknown quality without adequate disinfection treatment.
- This filter system must be installed indoors or in a protected location. Avoid freezing conditions, extreme temperature fluctuations, and direct sunlight exposure. Damage caused by such environmental conditions is not covered under warranty (free service).
- Before connecting the piping, always check the flow direction (arrow) indicated on the main body to ensure correct inlet and outlet orientation.
- All installation work must comply with local plumbing regulations and building codes.
- When using a PT3/4 adapter (sold separately), apply Teflon tape to maintain airtight sealing and prevent leakage.

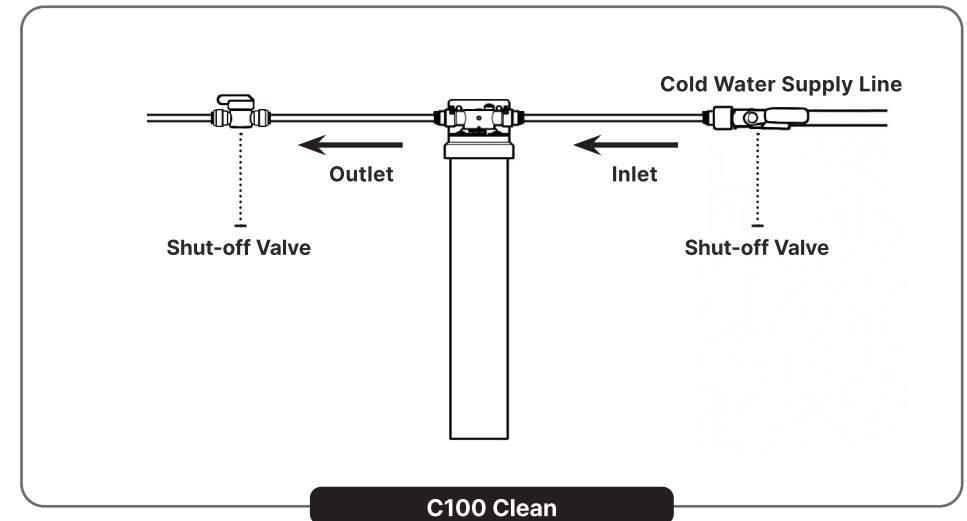
## ■ Pre-Installation Checklist

- Before starting installation, be sure to shut off the main water supply (cold water valve).
- Before starting installation, turn off the power to equipment such as coffee machines, ice makers, boilers, and water heaters.
- Open a faucet to drain any remaining water in the pipes and release internal pressure.
- Before starting installation, arrange and prepare all necessary parts and tools according to your installation environment, and check that everything is ready.

## ■ Installation Overview



## ■ Installation Guide

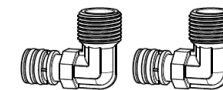


- This filter must be installed between the water supply line and beverage equipment such as coffee machines, ice makers, boilers, and water heaters.
- The installation location should be indoors, with a flat surface and no moisture. Avoid freezing temperatures and direct sunlight.

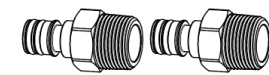


### Note

The C100 Clean model uses fitting-type inlet and outlet ports designed for 3/8" tube connections. Depending on the plumbing environment, separate adapters (sold separately) may be used for installation. Additionally, it is recommended to install a shut-off valve at the front (upstream side) of the product for easier maintenance.



G1/2 Elbow Adapter  
(sold separately)



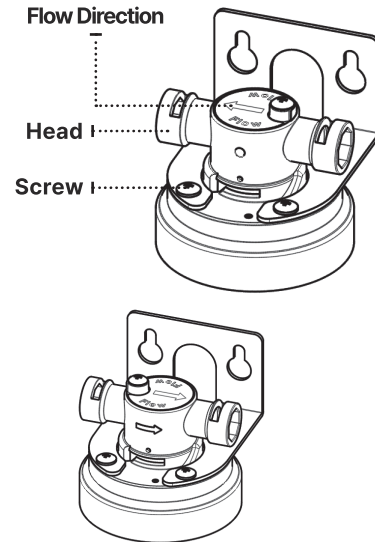
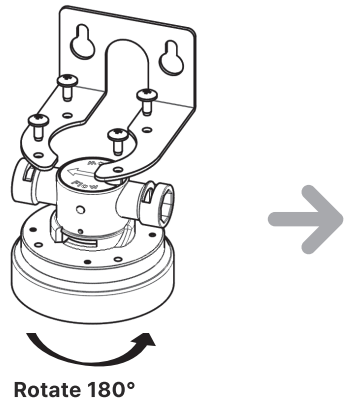
PT3/4 Adapter  
(sold separately)

### Step 1 Check Flow Direction

- Check the flow direction sticker on the head and make sure it matches the direction of the piping.

#### ⚠ Caution

If the flow direction of the head is opposite to the piping direction, loosen the bracket screws and rotate it 180° to align the direction.

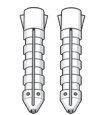


### Step 2 Fix the Bracket to the Wall

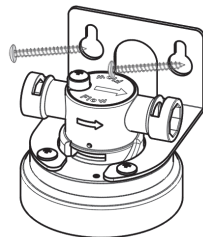
- Securely mount the C100 Clean bracket to the wall.
- After installation, ensure the system is level and stable without any wobbling.

#### ⚠ Note

When installing on a concrete wall, drill holes using a hammer drill and a concrete drill bit (10mm). Then insert the provided plastic anchors and fix the bracket securely.

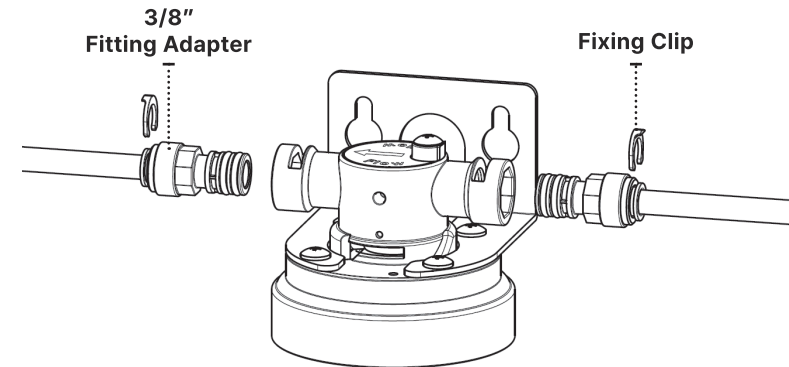


Plastic Anchor

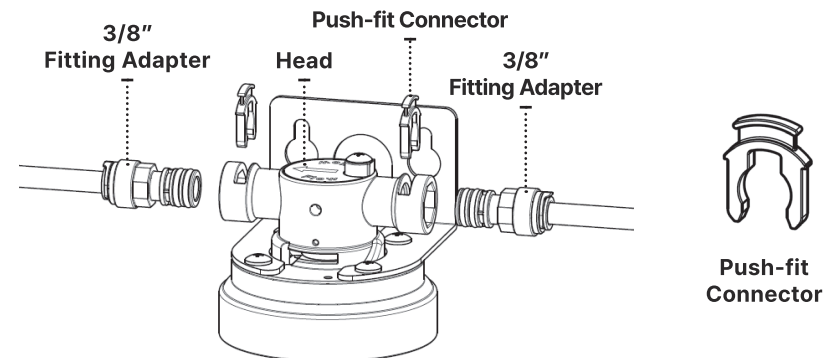


### Step 3 Connect Inlet and Outlet Tubes

- Insert the 3/8" inlet and outlet tubes fully into the 3/8" fitting adapters, then attach the fixing clips.

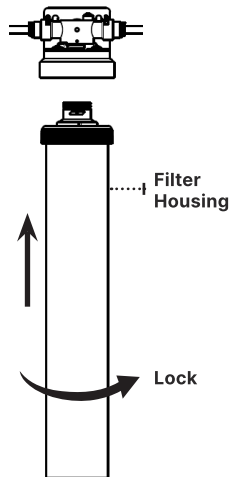


- Push the connected 3/8" fitting adapters into the head completely, and secure them using the push-fit connectors.



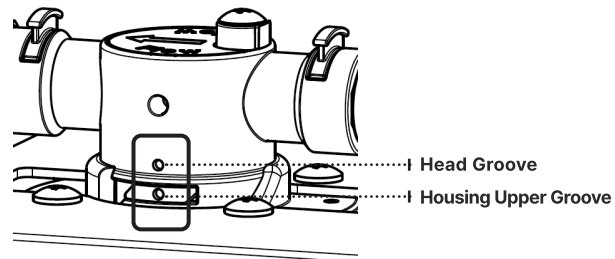
### Step 4 Assemble the Filter Housing

- Push the filter housing upward into position, then rotate it counterclockwise by hand to secure it.



#### Caution

Align the top groove of the housing with the groove on the head.



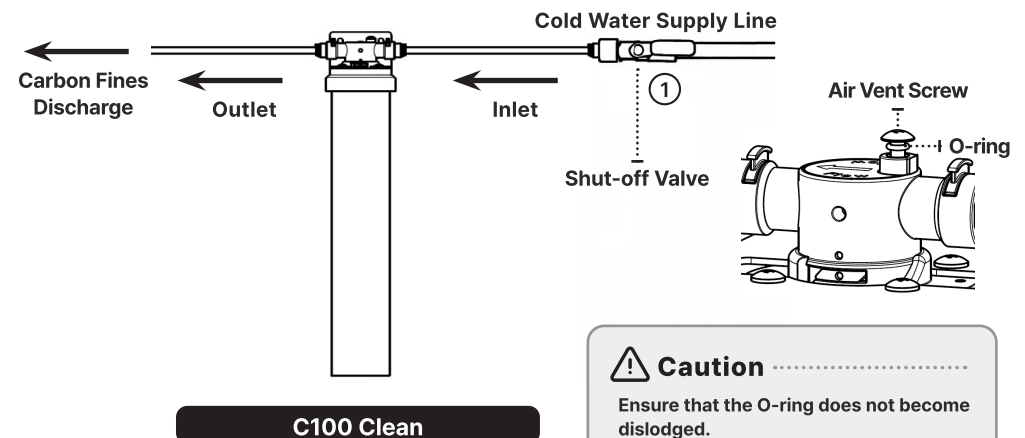
### Step 5 Water Supply and System Flushing

- Before connecting equipment such as coffee machines, ice makers, boilers, and water heaters to the outlet, open the inlet shut-off valve (⊙) and run water for about 10 minutes to fully flush out carbon fines from inside the filter.
- During system flushing, loosen the air vent screw to release the internal air. After all air is released, tighten the screw again.



#### Caution

Do not overtighten the air vent screw, as excessive force may damage the plastic threads.



#### Caution

Ensure that the O-ring does not become dislodged.



#### Note

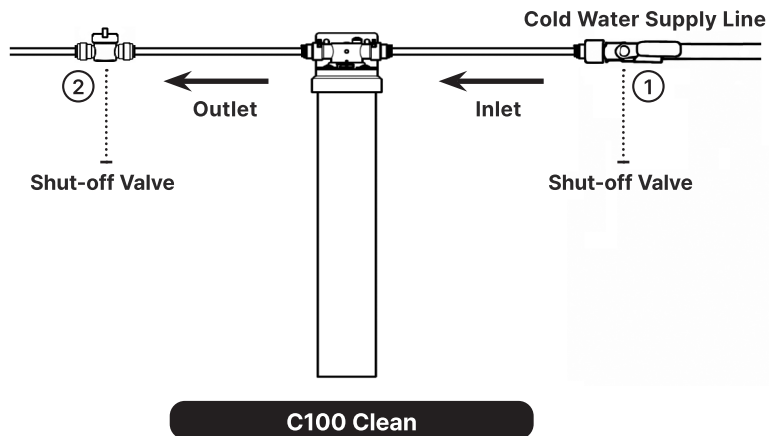
During the initial flushing process, the water may appear dark due to carbon residue being discharged from inside the filter. This is normal. Continue flushing until clear water flows and all air is completely removed. During use, a cloudy (white) appearance may occur. This is a natural phenomenon caused by micro air bubbles being released from inside the filter.

**! Caution**

If the product has not been used for an extended period (e.g., during vacation), it is recommended to flush the system for at least 5 minutes before reuse.

**Step 6 Leak Check and System Preparation**

- Close shut-off valve ②, then open shut-off valve ①.
- Carefully check for any leakage.
- If leakage occurs, disassemble the housing, check the O-ring condition, and reassemble it. (Refer to pages 13–16 for "Filter Cartridge Replacement.")



- Slowly open shut-off valve ②. The system is now ready for use.

**! Note**

The remaining untreated water in the piping and equipment such as coffee machines, ice makers, boilers, and water heaters will be gradually replaced with filtered water after approximately 2–3 days of normal use

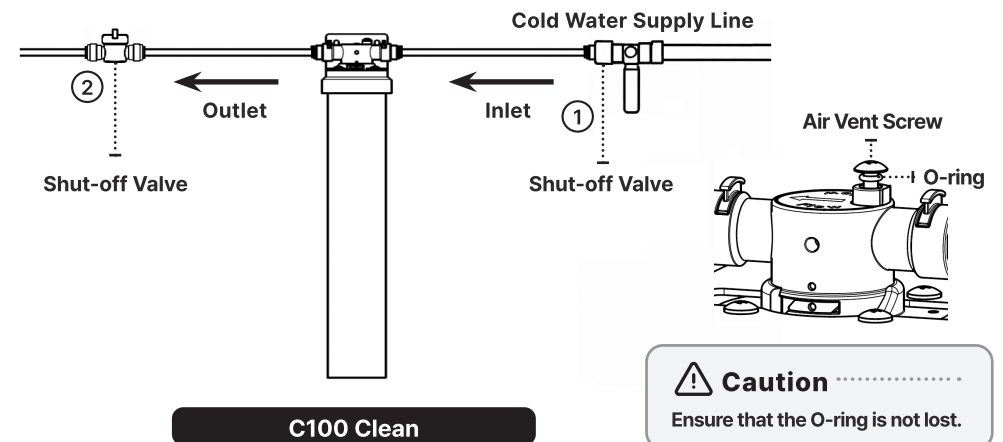
# Filter Cartridge Replacement

**Step 1 Preparation for Filter Cartridge Replacement**

- Close shut-off valve ① on the cold water supply line.
- Close shut-off valve ②.
- Loosen the air vent screw to release internal air. Once all air is removed, tighten the screw again.

**! Caution**

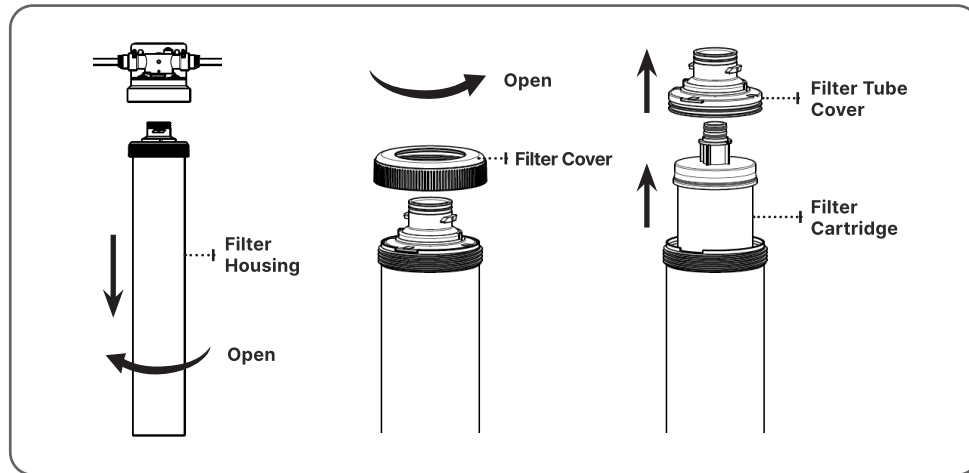
Do not overtighten the air vent screw, as excessive force may damage the plastic threads.

**! Caution**

Ensure that the O-ring is not lost.

## Step 2 Remove the Existing Filter Cartridge

- Rotate the filter housing clockwise to detach it from the head.
- Rotate the filter cover counterclockwise to remove it.
- Open the filter tube cover and remove the existing filter cartridge inside.

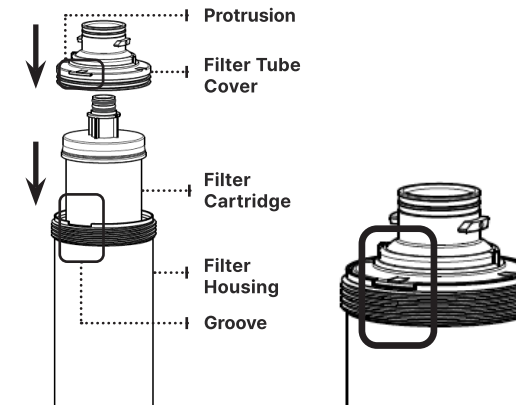


## Step 3 Clean the Filter Housing

- Rinse the filter tube cover and filter housing thoroughly with water to remove any residue.
- If necessary, apply clean silicone grease to the O-ring. Do not use petroleum jelly (Vaseline)
- If the O-ring is damaged and causes leakage, replace it with a new one. For purchasing O-rings, contact the place of purchase or the customer service center ([www.seondoelec.com](http://www.seondoelec.com)).

## Step 4 Install a New Filter Cartridge

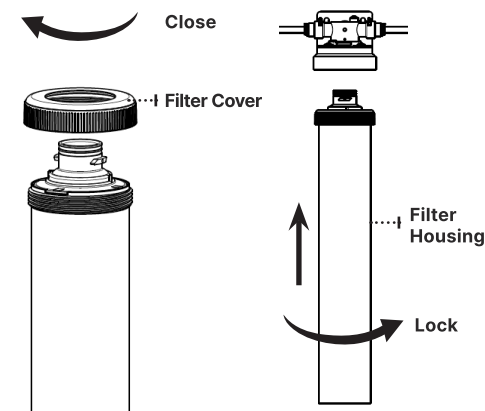
- Remove the packaging from the new filter cartridge and insert it into the filter housing.
- Align the filter tube cover with the groove and push it into place.



### Caution

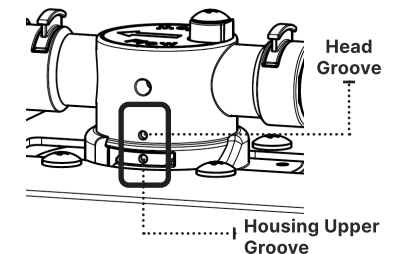
Ensure the protrusion of the filter tube cover is aligned with the groove of the filter housing. Improper assembly may cause product damage or leakage.

- Tighten the filter cover clockwise by hand until it is securely fixed.
- Push the filter housing upward, then rotate it counterclockwise by hand to secure it.



### Caution

Align the upper groove of the housing with the groove on the head



### Step 5 Water Supply and System Flushing (Flushing)

- Refer to Step 5 of the installation guide on page 11.

### Step 6 Leak Check and System Preparation

- Refer to Step 6 of the installation guide on page 12.

## 서비스 요청 전 점검사항

Symptom	Check
Gradual decrease in water pressure over time	It is recommended to replace the filter cartridge every 6-12 months depending on the water quality. If water pressure decreases despite normal system operation, it may indicate that the cartridge needs replacement.
Low water pressure immediately after installation	Check whether water is being properly supplied through the supply valve.
Cloudy water	Cloudiness (white turbidity) may occur during use. This is a natural phenomenon caused by micro air bubbles being released from inside the filter.
Leakage at housing connection	The O-ring may not be properly seated or may be misaligned. If leakage persists after adjustment, contact customer service (www.seondoelec.com)

## Frequently Asked Questions

### Q. What contaminants does this system remove, and how does it work?

- A.** This commercial water filtration system is equipped with a multi-stage filter integrating a sediment filter, carbon block filter, and scale inhibition function. It is designed to provide the following comprehensive protection functions:
- **Sediment Filtration** : Removes large particulate contaminants such as dirt, sand, suspended solids, and rust.
  - **Carbon Block** : Effectively adsorbs and removes chlorine, unpleasant taste and odor, as well as organic chemicals (VOCs) and pesticides.
  - **Scale Inhibitor** : Prevents scale formation, protecting equipment and improving maintenance efficiency.

### Q. If water hardness is very high, is a separate water softener required?

- A.** If the incoming water has high hardness (typically when TDS exceeds 700 ppm), installation of a water softener is recommended.
- This system effectively removes sediment, chlorine, and rust but does not provide water softening functionality. High hardness may cause rapid scale buildup, leading to clogging and reduced cartridge lifespan.
- To determine whether this system is suitable for your environment, it is recommended to have a water quality test conducted by a professional before purchase. This will allow you to accurately identify specific water quality issues.



### Caution

Water softeners and commercial filtration systems generally do not reduce TDS levels. If lower TDS is required, an RO (reverse osmosis) system may be needed.

### Q. What flow rate is suitable for my use?

- A.** Flow rate (L/min) refers to the amount of water supplied to equipment such as coffee machines, ice makers, boilers, and water heaters.
- To determine the appropriate value, check the specifications of your equipment first.

# Product Warranty

## ■ 1-Year Limited Warranty and Disclaimer

### Warranty Coverage and Registration

This limited warranty applies only to the original purchaser of the product and is valid only while the product remains owned and registered at the original installation location. The warranty period begins on the date of product delivery. If the main unit is removed from the original installation location or relocated, the warranty will automatically be void.

### Warranty Coverage

For one year from the date of purchase, the manufacturer warrants against material defects, manufacturing defects, or factory assembly defects in all components supplied by the factory.

- **Parts only** : This warranty applies only to the replacement of parts. All labor costs related to removal, replacement, installation, adjustment, maintenance, or repair services are excluded from warranty coverage.
- **Consumables excluded** : Filter cartridges and O-rings that require periodic replacement during normal use are not covered under this warranty.
- **Implied warranty** : Any implied warranties of merchantability or fitness for a particular purpose expire one year from the date of purchase.

### Operating Conditions and Warranty Void Conditions

This warranty is valid only if the system is installed, operated, and maintained in accordance with all provided instructions. Failure to meet any of the following conditions will void the warranty.

- **Installation location** : Install in a shaded, well-ventilated area away from direct sunlight. Prolonged exposure to UV rays may damage the product.
- **Water supply** : Connect only to a potable water source (such as tap water).
- **Pressure and temperature** : Inlet water pressure must be 0.2–0.55 MPa and temperature must be 4–38°C (40–100°F).
- **pH level** : The inlet water pH must be between 6 and 9.
- **Proper maintenance** : Failure to perform regular maintenance described in the manual (e.g., timely replacement of filter cartridges) will be considered neglect and will void the warranty.

### Limitation of Liability

The manufacturer shall not be liable for any incidental or consequential damages resulting from the failure of this product. This includes, but is not limited to, loss of time, inconvenience, damage to personal property, loss of revenue, commercial losses, or travel expenses. In jurisdictions where the exclusion of incidental or consequential damages is not permitted, you may return the system.

However, choosing to retain the product constitutes acceptance that this limitation of liability applies to you.

### Performance Disclaimer

Testing of this product was conducted under standard laboratory conditions, and actual performance may vary depending on the water quality characteristics of the region. The manufacturer assumes no legal responsibility for determining or diagnosing the equipment required to meet your specific requirements..

### Customer Support

We prioritize your satisfaction above all else and provide a 1-year manufacturer warranty for all major water filtration systems. If a defect occurs in the product, please contact your place of purchase or the customer service center [www.seondoelec.com](http://www.seondoelec.com). Your satisfaction is our mission!

# Warranty Registration Card

Name \_\_\_\_\_ Order No. # \_\_\_\_\_

Email \_\_\_\_\_ Contact \_\_\_\_\_

Address \_\_\_\_\_

Postal Code \_\_\_\_\_

Model Name / Serial Number

\_\_\_\_\_

Place of Purchase (e.g., Naver Shopping, Amazon, etc.)

\_\_\_\_\_

Date of Purchase \_\_\_\_\_

**SEONDO**

[www.seondoelec.com](http://www.seondoelec.com)